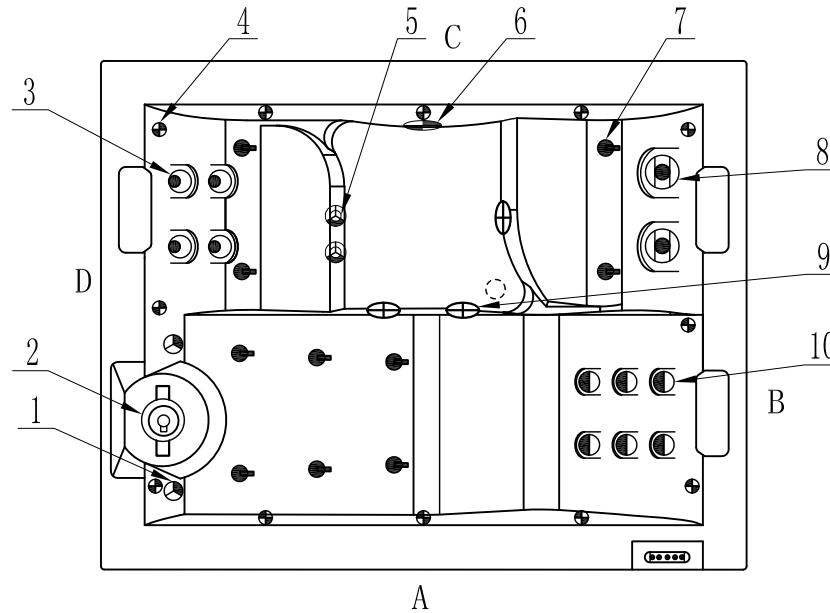




Model Name: Ocean Flow (1882x1482x800)mm±15mm

Fitting



Notes: Due to manufacturing tolerances, there could be some minor differences between the actual spa and the drawing above. If site planning is critical to such tolerances, be sure to measure your actual spa. All specifications are subject to change without notice. Some components may be optional on your spa

10		Large 3'' Jet Internal-Single Pulse	01.03.04.0192	6	pcs
9		1.5'' Suction (full set)	01.03.03.0707	3	pcs
8		5'' Jet Internal-Directinal	01.03.04.0176	2	pcs
7		Air Injector Assembly - 1''	01.03.04.0076	10	pcs
6		5'' Light Housing Without Holder	01.02.06.0203	1	pcs
5		Ozone Injector	01.03.03.0221	2	pcs
4		Perimeter LED	01.03.03.0066	12	pcs
3		4'' Jet Internal-Single Pulse	01.03.04.0089	4	pcs
2		2'' Floating Filter	01.03.03.0099	1	pcs
1		Large 3'' Jet Internal-Directinal	01.03.04.0174	2	pcs
NO.	Icon	Description	Part #	Qty	Unit

Edition: 25/08/2015